

CO-OP

CO-OP15GN101 – Candidate Performance Guide

Demonstrate Contamination Control Implementation on the Workplace

Skill Number CO-OP15GN101

Full Name: Bahri Kurniawan

No ID: _____

Validation Date: 21 / 11 / 25

School: SMKN 1 Sidosari

PERFORMANCE TASK:

Whilst working in a workshop environment the student is requested to perform the following tasks:

- Maintain a clean workplace.
- Maintain an orderly workplace (including storage of parts, tools, literature, and consumables) whilst following standard Contamination Control procedures.

Safety and contamination control must be applied in this process. All literatures will be available.

Prerequisite	Completed		Hints
	Yes	No	
The student must complete the Contamination Control knowledge assessment.			

Tasks	Completed			Observation / Hints
	Yes	No	N/A	
Prepare related literature				
Prepare required equipment				
Prepare related tools				
Prepare Safety & Contamination Control equipment				



CO-OP

CO-OP15GN101 – Candidate Performance Guide

Tasks	Completed			Observation / Hints
	Yes	No	N/A	
Perform etiquette/manner when starting the job				
Meet the customer / assessor				
Perform etiquette/manner when opening the interaction.				
Explain the purpose of Student's activity				
Ask permission to perform the job.				

Tasks	Completed			Observation / Hints
	Yes	No	N/A	
Perform contamination Control Implementation on the Workplace				
1. Environmental Practices & Housekeeping				
2. Plug the hole to all opened components or holes such as lines and hoses				
Documentation:				
Take picture if needed				

Tasks	Completed			Observation / Hints
	Yes	No	N/A	
Perform close the job by ensuring all systems or conditions is in the standard condition				
Ensure all systems or conditions are in standard condition.				

Tasks	Completed			Observation / Hints
	Yes	No	N/A	
Reporting				
All relevant documentation completed correctly and approved by customer (if required).				



CO-OP

CO-OP15GN101 – Candidate Performance Guide

Tasks	Completed		Observation / Hints
	Yes	No	
Safety			
Using APD related to the job			
Follows relevant workplace safety guidelines (tag out, safety equipment)			
State and follow safety precautions			
Student completes job without accident due to incorrect procedure using hand tools.			
Tasks completed without damage equipment and tools			

Tasks	Completed		Observation / Hints
	Yes	No	
Perform etiquette/manner after completing the job			
Perform etiquette/manner when closing the communication.			

CO-OP

CO-OP15GN101 – Candidate Performance Guide

General Comments

RESULT:

COMPETENT

NOT YET COMPETENT

(Please check (✓))

Student:

Bahri Korkmaz
Name

12 / 12 / 25
Date

[Signature]
Signature

Assessor:

Name

Date

Signature

Supervisor:

Name

Date

Signature

Data Recorded:

Name

Date

Signature



Demonstrate Contamination Control Implementation on the Workplace

Skill Number CO-OP15GN101

Full Name: Bahric Kurniawan

No ID: _____

Validation Date: 22 / 12 / 25

School: SMKN 1 Singosari

PERFORMANCE TASK:

Whilst working in a workshop environment the student is requested to perform the following tasks:

- Maintain a clean workplace.
- Maintain an orderly workplace (including storage of parts, tools, literature, and consumables) whilst following standard Contamination Control procedures.

Safety and contamination control must be applied in this process. All literatures will be available.

Prerequisite	Yes	No	Hints
The student must complete the Contamination Control knowledge assessment.			Score CC Course or subject.

Tasks	Completed			Observation / Hints
	Yes	No	N/A	
Preparation				
Prepare related literature				
Prepare required equipment				
Prepare related tools				
Prepare Safety & Contamination Control equipment				

Tasks	Completed			Observation / Hints
	Yes	No	N/A	
Perform etiquette/manner when starting the job				
Meet the customer / assessor				
Perform etiquette/manner when opening the interaction.				<ul style="list-style-type: none"> • Perform smile & greet • Introduce Student's
Explain the purpose of Student's activity.				
Ask permission to perform the job.				

Tasks	Completed			Observation / Hints
	Yes	No	N/A	
1. Environmental Practices & Housekeeping				<ol style="list-style-type: none"> 1. Waste is minimized, waste including sludge, solids and wastes are sorted and store for recycling or disposal 2. Packaging of goods received sorted and reused or disposed recycling 3. Materials that can be reused cleaned and stored 4. Waste and scrap is removed following workplace procedure 5. All fluids are disposed of in accordance with enterprise and procedures
2. Plug the hole to all opened components or holes such as lines and hoses				Use standard plugs for opened components and for lines, pipe, hoses
Documentation:				
Take picture if needed				

Tasks	Completed			Observation / Hints
	Yes	No	N/A	
Perform close the job by ensuring all systems or conditions is in the standard condition				
Ensure all systems or conditions are in standard condition.				<ul style="list-style-type: none"> • Find the improper condition. • Communicate the finding to the customer/assessor.

Tasks	Completed			Observation / Hints
	Yes	No	N/A	
All relevant documentation completed correctly and approved by customer (if required).				<ul style="list-style-type: none"> • Completing the Task List • Completing Measurement Form/Related Check Sheet, if required • Create Service Report (SIMS), if required • Create SPR, if required • Documenting the failed or damaged parts, if required • Provide Technical Analysis Report/Failure Analysis Report, if required.

Tasks	Completed		Observation / Hints
	Yes	No	
Safety			
Using APD related to the job			
Follows relevant workplace safety guidelines (tag out, safety equipment)			<ul style="list-style-type: none"> • Comply with safety regulation that applied on the workplace
State and follow safety precautions			<ul style="list-style-type: none"> • Create Job Safety Analysis • Student must follow safety procedure refer to service manual or SIS related to job
Student completes job without accident due to incorrect procedure using hand tools.			<ul style="list-style-type: none"> • Correct working position • Correct hand tool related to the job
Tasks completed without damage equipment and tools			

Tasks	Completed		Observation / Hints
	Yes	No	
Perform etiquette/manner after completing the job			
Perform etiquette/manner when closing the communication.			<ul style="list-style-type: none"> • Perform smile & greetings. • Ask permission to leave or end the interaction.

General Comments

Blank area for general comments.

RESULT:

COMPETENT

NOT YET COMPETENT

(please

Student:

Bahri Kusnawa

22 / 12 / 25

[Signature]

Assessor:

Name

Date

Signature

Supervisor:

Name

Date

Signature

Data Recorded:

Name

Date

Signature

ANALISIS LINGKUNGAN KESELAMATAN KERJA / JOB SAFETY ENVIRONMENT ANALYSIS

Pekerjaan / Task	SOS 320D	Nomor JSEA / JSEA Number	Halaman / Page	1	Dari / Of	1
------------------	----------	--------------------------	----------------	---	-----------	---

Tanggal Pembuatan JSEA / Date of JSEA	22 Desember 2023	Departemen / Dept	Service	Tempat Kerja / Work Location	Hanggar Pratik TAB
---------------------------------------	------------------	-------------------	---------	------------------------------	--------------------

Disusun Oleh / Compiled By	Bahri	TTD / Sign		Review Oleh / Reviewed By		TTD / Sign		Atasan / Superior		TTD / Sign	
----------------------------	-------	------------	--	---------------------------	--	------------	--	-------------------	--	------------	--

Apakah Anda sudah terlatih untuk melakukan pekerjaan ini ? / Are you properly trained to complete these task ? Ya / Yes Tidak / No

Apa yang Anda perlukan untuk memastikan bahwa pekerjaan selesai tanpa adanya kecelakaan kerja ? / What do you need to ensure this job is completed incident free ?

Tools yang digunakan sudah sesuai dengan Manual

Siapa yang bertanggung jawab untuk menghentikan pekerjaan jika terjadi perubahan pekerjaan atau gangguan kondisi lingkungan kerja ? / Who is responsible for Stop Work Authority if change job or workplace distraction could ?

ABCD-1 (Technician Leader) / Mr. X (Customer)

Apakah Anda memerlukan peralatan LOTO ? / Are you need LOTO Equipments ? Ya / Yes Tidak / No

Apakah Anda mengetahui ERP/MERP dari pekerjaan yang sedang dilakukan? Ya / Yes Tidak / No *Jika tidak, silaakan tambahkan dalam urutan langkah tugas diawal*

Kondisi Lingkungan / Environmental Conditions	Cuaca / Weather	Carah	Medan / Terrain	Barlumpur
---	-----------------	-------	-----------------	-----------

Pengendalian Sumber Bahaya / Hazardous Energy Control	<input type="checkbox"/> Listrik / Electrical	<input checked="" type="checkbox"/> Gravitasi (Benda jatuh, tertimpa) / Gravitation (Falling objects, struck down)	<input type="checkbox"/> Pneumatik / Pneumatic
	<input checked="" type="checkbox"/> Hidraulik / Hydraulic	<input checked="" type="checkbox"/> Mekanis / Mechanical	<input checked="" type="checkbox"/> Panas / Thermal

APD yang diperlukan / Required PPE	<input checked="" type="checkbox"/> Helm / Safety Helm	<input type="checkbox"/> Pelindung Muka / Face shield	<input checked="" type="checkbox"/> Kacamata / Safety Glass
	<input checked="" type="checkbox"/> Sarung Tangan / Hand Gloves	<input type="checkbox"/> Pelindung Pernafasan / Respiratory Protection	<input type="checkbox"/> Perlindungan Kejatuhan / Fall Protection
	<input checked="" type="checkbox"/> Sepatu / Safety Shoes	<input type="checkbox"/> Pelindung Telinga / Hearing Protection	<input type="checkbox"/> Lain-Lain / Other

Hal yang perlu dipertimbangan dalam mengidentifikasi bahaya / These to consider in identify hazards :

1 Bahaya Keselamatan : Kondisi tidak aman yang dapat menyebabkan injury atau kematian seperti terpeleat, terpeleset/terjatuh, tertimpa dll.
Safety Hazard : unsafe conditions that can cause injury or even death, such as spill/falls, pinch point, struck by, etc.

2 Bahaya Fisik : Listrik, Api/ledakan, Kebisingan, Radiasi, Panas, Tekanan, Terjepit, Tersandung/Terjatuh, Tertimpa, Getaran.
Physical Hazards : Electrical, Fire/Explosion, Noise, Radiations, Thermal, Pressure, Pinch Point, Slips/Falls, Struck by, Vibration.

3 Bahaya Kimia : Terhirup, terkena kulit, injeksi, tertelan, terserap.
Chemical Hazards : Inhalation, skin contact, injection, ingestion, absorption.

4 Bahaya Biologi : Patogen yang ditularkan melalui darah, jamur, tanaman/serangga/hewan.
Biological Hazards : bloodbone pathogens, mold, Plant/Insect/Animals

5 Bahaya Ergonomi : Gerakan berulang-ulang, beban yang berlebihan, Postur Janggal, Durasi kerja, Desain area kerja.
Ergonomic Hazards : Repetitions, Forcefull extention, Awkward Posture, Duration , Work area desain.

6 Bahaya Organisasi : stres atau bahaya terkait dengan masalah tempat kerja yang menyebabkan efek jangka panjang atau pendek, beban kerja yang berat dan kekerasan ditempat kerja.
Organizational hazards : stressors or hazards associated with workplace issues that cause long or short term effects heavy workloads, stressful interactions and workplaces violence.

No	Urutan Dasar Langkah Tugas / Job Steps (* Maksimum 15 Langkah / Maximum 15 Steps)	Bahaya Yang Terkait / Potential Hazard(s)	Tindakan Perbaikan / Recommended Action
1	Walk Around Inspektion	1.1 Kaki masuk ke dalam lumpur 1.2 Kepala terbentur 1.3 Tersakit penutup engine	1.1.1 Perhatian Pijakan Kaki 1.1.2 Gunakan safety shoes 1.2.1 Berhati-hati saat Inspect 1.2.2 Memakai safety helm 1.3.1 Hindari titik jepit 1.3.2 Pakai safety gloves
2	Prepare tools	2.1 Tersandung toolbox	2.1.1 Pindahkan toolbox 2.1.2 Menggunakan safety shoes
3	Doing SOS	3.1 kaki terpeleat 3.2 Mata terciprat oli 3.3 Tangan terkena oli	3.1.1 Berhati-hati saat berpijakan kaki 3.1.2 Gunakan safety shoes 3.2.1 Berhati-hati saat mata kluhan sos 3.2.2 Gunakan APD lengkap 3.3.1 Fokus saat bekerja 3.3.2 Gunakan APD lengkap
4	House keeping	4.1 Terpeleat saat pembersihan area 4.2 Tertimpa Tools	4.1.1 Hati-hati saat pembersihan area 4.1.2 Pakai safety shoes 4.2.1 Tempatkan tool ditempat aman 4.2.2 Pajang dengan benar

28/04/2014

Engine Oil Sample - Obtain (SEBU8053-20)

SMCS - 1000, 1348, 7542

i05784857

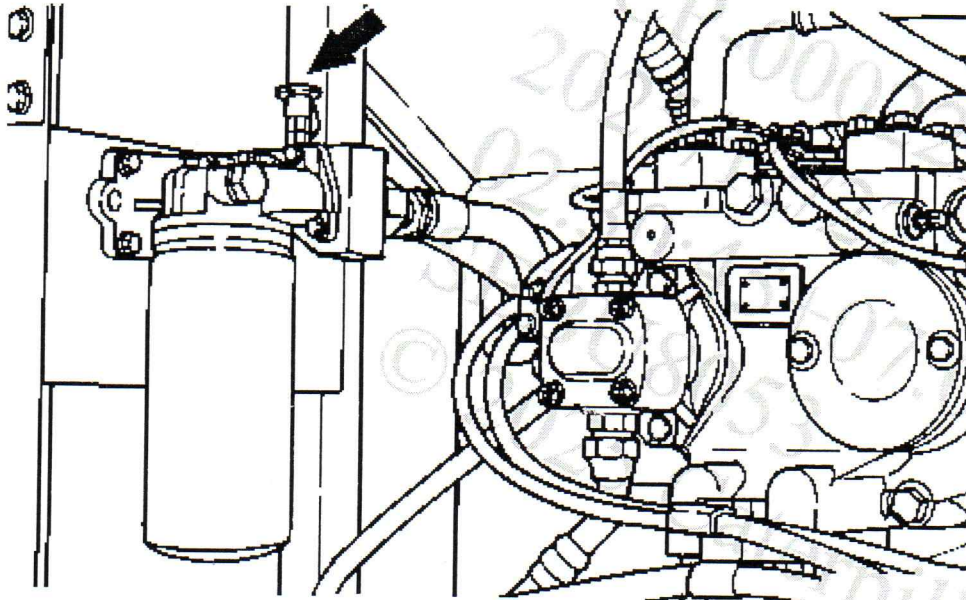


Illustration 1

g00750336

Obtain a sample of the engine oil from the engine oil sampling valve that is located on the engine oil filter housing. Refer to Special Publication, [SEBU6250](#), "S·O·S Oil Analysis" for information that pertains to obtaining a sample of the engine oil. Refer to Special Publication, PEGJ0047, "How To Take A Good Oil Sample" for more information about obtaining a sample of the engine oil.

PCP-00022950

2025/12/22

02:30:14+07:00

i01870159

© 2025 Caterpillar Inc.